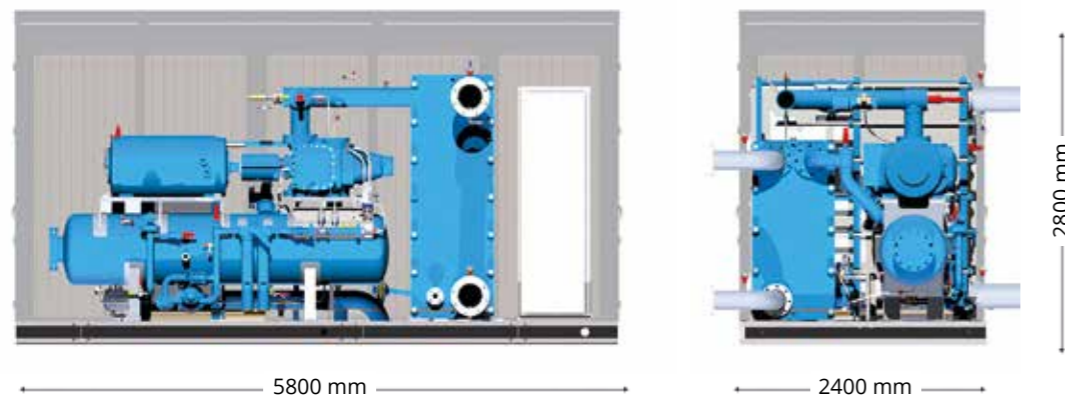


Product line

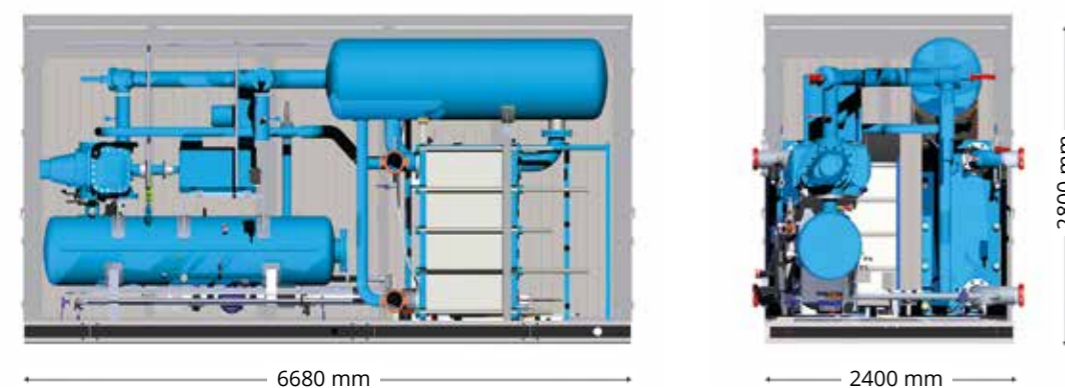
varimatik® dry expansion



Characteristics:

- Powers up to 3000 kW
- Temperatures up to -45°C
- All electric engines are driven by inverters
- Automatic oil recovery from evaporator
- Small size in relation with the supplied power
- Semi/completed welded plates exchangers
- PED 97/23/CE certification and test according to ISO 9001:2008

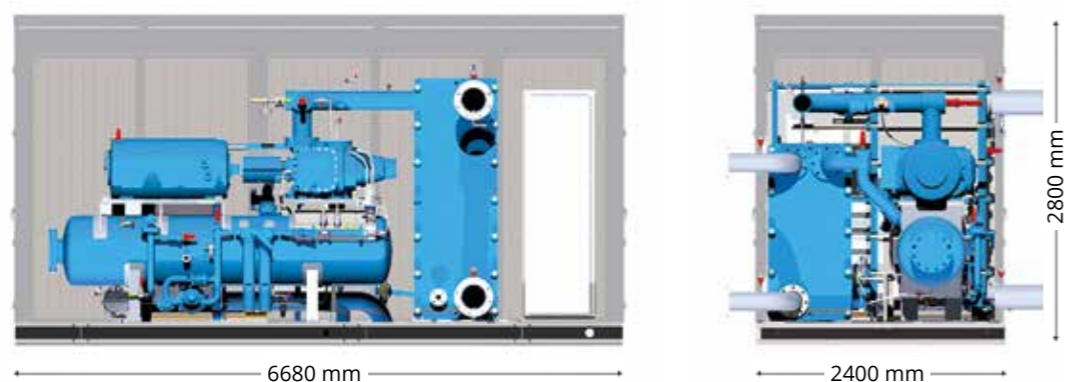
varimatik® flooded



Options and accessories:

- Engines and inverters available with IE4 efficiency
- Dry expansion version, further refrigerant charge reduction
- Evaporators in stainless steel or titanium with flooding or dry expansion power
- Evaporators or separators for pump installations
- Cooling and electrical energy metering system with "certified" COP's
- Partial or total heat recovery
- Available monitoring and telemetry system for the web-based management **telematik®**
- Screw or piston compressors (partial and/or total heat recovery)
- Soundproofing cabin with integrated safety devices
- Pumping unit on the machine board
- Remote type electrical panel
- Available with evaporative condenser
- Integrated separator with open economizer
- Accounting cooling and electric power system
- PED 97/23/CE certification and test according to ISO 9001:2008
- ATEX versions

varimatik® flooded and economized for low temperatures



Water chiller

varimatik®



We have more than 120 varimatik® working since 1994

Technical data

Screw compressor

Condensation water
30/35°C

	water +7°C/+12°C					water/glycol -4°C/-8°C				
Chilling power	600 kW	1000 kW	1500 kW	2000 kW	2500 kW	400 kW	800 kW	1200 kW	1500 kW	1800 kW
EER	6.62	6.86	6.70	6.69	6.73	4.11	4.07	4.14	4.12	4.01
	water/glycol -20°C/-25°C					pumped ammonia -35°C				
Chilling power	200 kW	300 kW	450 kW	600 kW	900 kW	200 kW	300 kW	450 kW	550 kW	800 kW
EER	2.32	2.29	2.30	2.44	2.45	1.81	1.77	1.79	1.88	1.89

Piston compressor

Condensation water
30/35°C

	water +7°C/+12°C					water/glycol -4°C/-8°C				
Chilling power	500 kW	750 kW	1000 kW	1250 kW	1500 kW	150 kW	300 kW	450 kW	600 kW	800 kW
EER	6.60	6.67	6.71	6.64	6.55	3.52	3.84	3.87	3.88	3.87